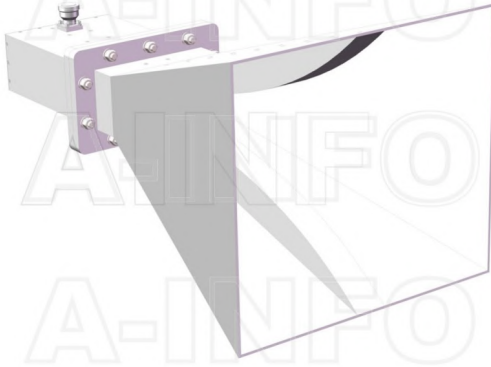


LB-08420-10-C-7/16F Multi Octave Horn Antenna 0.84-2GHz 10dB Gain  
7/16 DIN Female



Multi Octave Horn Antenna Operating From 0.84GHz to 2GHz With a Nominal 10dB Gain With 7/16 DIN Female Connector

### Product Information

SKU	LB-08420-10-C-7/16F
-----	---------------------

### Description

Multi octave horn antenna LB-08420-10-C-7/16F, operating from 0.84 to 2GHz with a nominal 10dB gain and low VSWR 1.5:1 with 7/16 DIN Female output connector. The model LB-08420-10-C-7/16F has uniform gain through its frequency span, providing efficient performance characteristics and directionality. It can handle 500W continuously and 5000W peak power. Constructed of lightweight corrosion-resistant aluminum, the antenna will provide years of trouble-free indoor and outdoor service. This multi octave horn antenna is linearly polarized and ideally suited for EMI testing, direction finding, surveillance, antenna gain and pattern measurements and other applications.

### Technical Specification

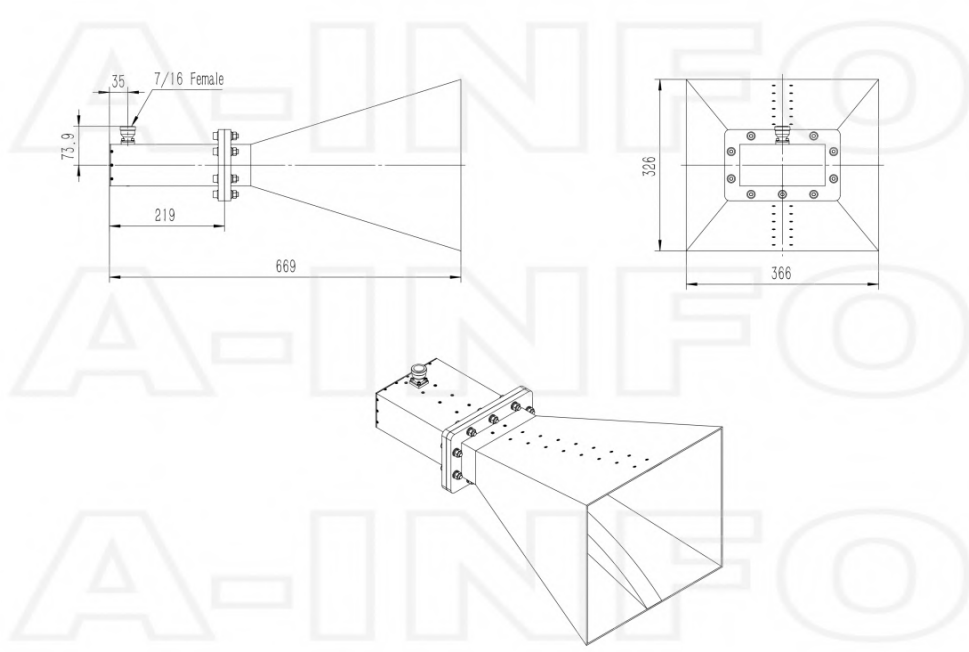
Electrical Specification		Interface	
Frequency, Min (GHz)	0.84	Output Type	Coaxial
Frequency, Max (GHz)	2	Connector	7/16 DIN
Waveguide Type	Double Ridge	Connector Gender	Female
Waveguide Size EIA WRD	WRD84	Mechanical Specification	
Gain, Typ (dBi)	10	Figure	C Type
Polarization	Linear	Body Material	Al
Cross Pol. Isolation, Typ (dB)	25	Finish	Chemical Conversion Coating, Gray Paint
VSWR, Typ	1.5:1	Size, W (mm)	366
Impedance, (Ohm)	50	Size, H (mm)	326
Power Handling, CW, (W)	500	Size, L (mm)	669
Power Handling, Peak, (W)	5000	Weight, (kg)	8.4

## Additional Information

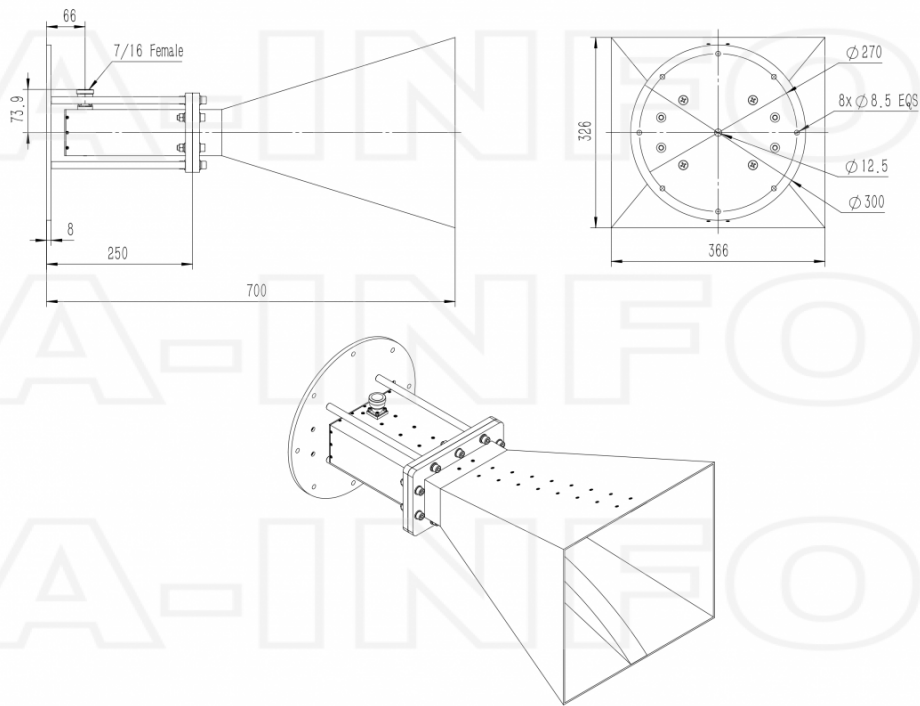
Application	General Purpose Indoor & Outdoor, Fixed	Solution for	Gain Reference Antenna Measurement Far-field Measurement System Intergration
-------------	---	--------------	---

## Outline Drawing

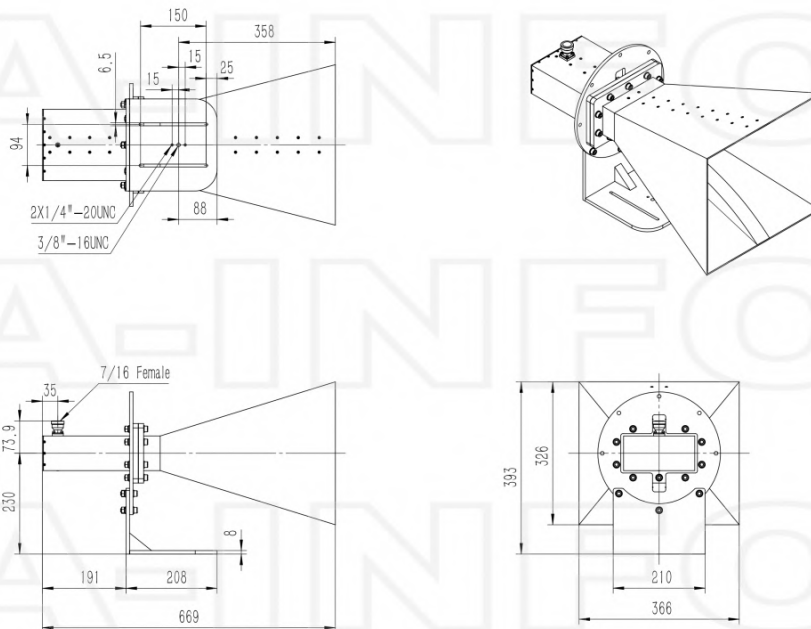
7/16 DIN-Female Output (P/N: LB-08420-10-C-7/16F)



7/16 DIN-Female Output with Round Mounting Bracket (Option, P/N: LB-08420-10-C-MB)



7/16 DIN-Female Output with L Type Mounting Bracket (Option, P/N: LB-08420-10-C-L)



## Related Products



LB-08420-10-C-MB Round Type Mounting Bracket



LB-08420-10-C-L L type mounting bracket

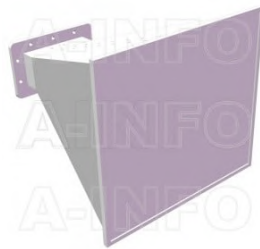


Tripod\_50Kg Al Alloy Tripod

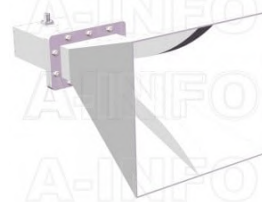
## Similar Products



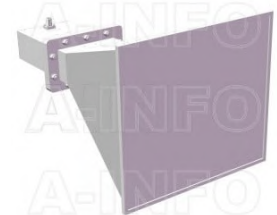
LB-08420-10-A Multi Octave Horn Antenna 0.84-2GHz 10dB Gain Double Ridge Waveguide Interface



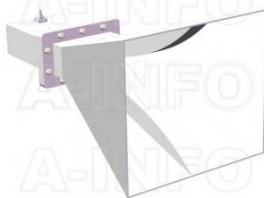
LB-08420-10-ASPO Multi Octave Horn Antenna 0.84-2GHz 10dB Gain Double Ridge Waveguide Interface



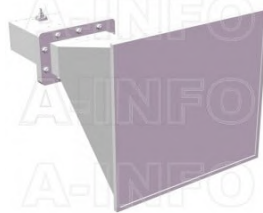
LB-08420-10-C-NF Multi Octave Horn Antenna 0.84-2GHz 10dB Gain N Type Female



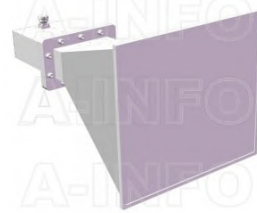
LB-08420-10-C-NFSP0 Multi Octave Horn Antenna 0.84-2GHz 10dB Gain N Type Female



LB-08420-10-C-SF Multi Octave Horn Antenna 0.84-2GHz 10dB Gain SMA Female



LB-08420-10-C-SFSP0 Multi Octave Horn Antenna 0.84-2GHz 10dB Gain SMA Female



LB-08420-10-C-7/16FSP0 Multi Octave Horn Antenna 0.84-2GHz 10dB Gain 7/16 DIN Female

## About this Datasheet

- Product Information

Product Link:  
<https://www.ainfoinc.com/lb-08420-10-c-7-16f-multi-octave-horn-antenna-0-84-2-ghz-10db-gain-7-16-din-female>  
 Data subject to change without notice.  
 © A-INFO INC. 2024. All Rights Reserved

- Contact Us

Address:  
 60 Tesla, Irvine, CA 92618, USA

Website:  
[www.ainfoinc.com](http://www.ainfoinc.com)

Email:  
[sales@ainfoinc.com](mailto:sales@ainfoinc.com)

- Phone & Fax

Phone:  
 +1-949-639-9688  
 +1-949-639-9608

Fax:  
 +1-949-639-9670